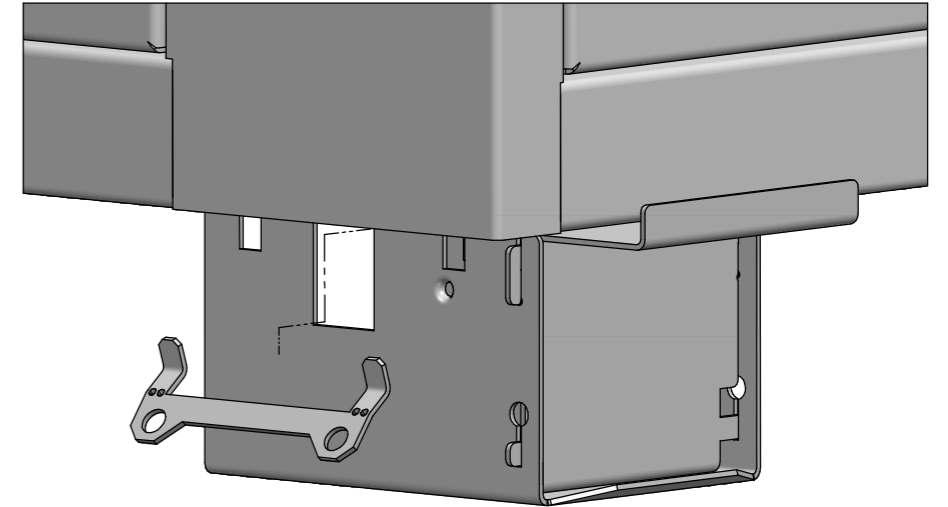
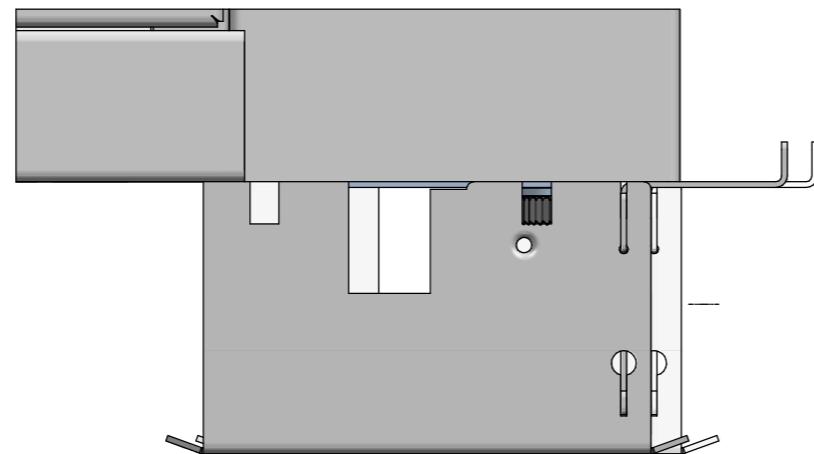


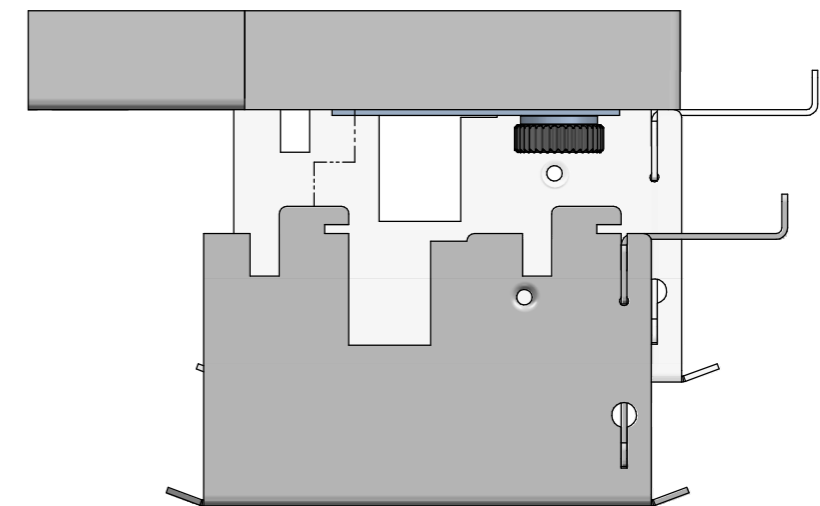
1. Remove M6 screw from each foot.



2. Rotate and drop out locking tabs.



3. Slide each foot towards the center of the rack.



4. Rack can now be lifted, and each foot should drop out.